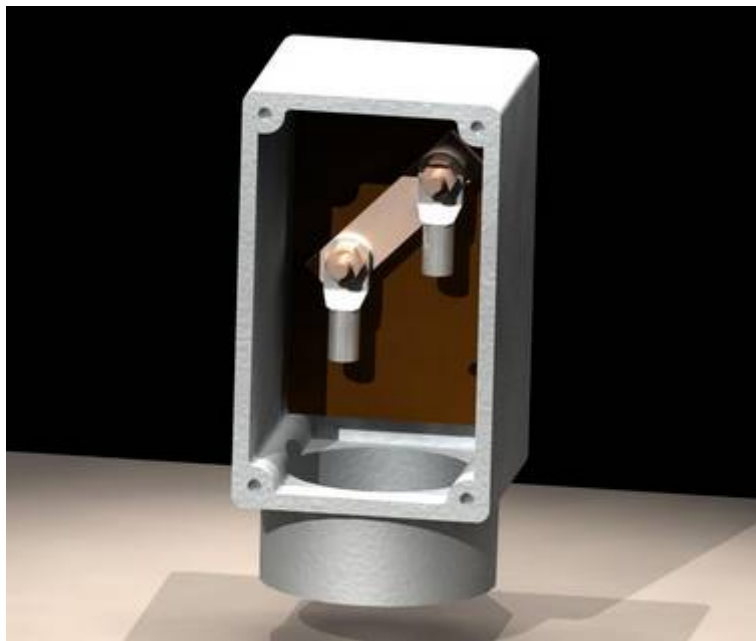


TECHNICAL SPECIFICATION

2D TEST POST



Written by:	Checked by:	Approved by:

TABLE OF CONTENTS

1 DESCRIPTION.....	3
2 EQUIPMENT.....	3
3 OVERALL DIMENSIONS.....	3
A1 INSTALLATION OF TEST POST	5
A1-1 SIMPLE.....	5



1 DESCRIPTION

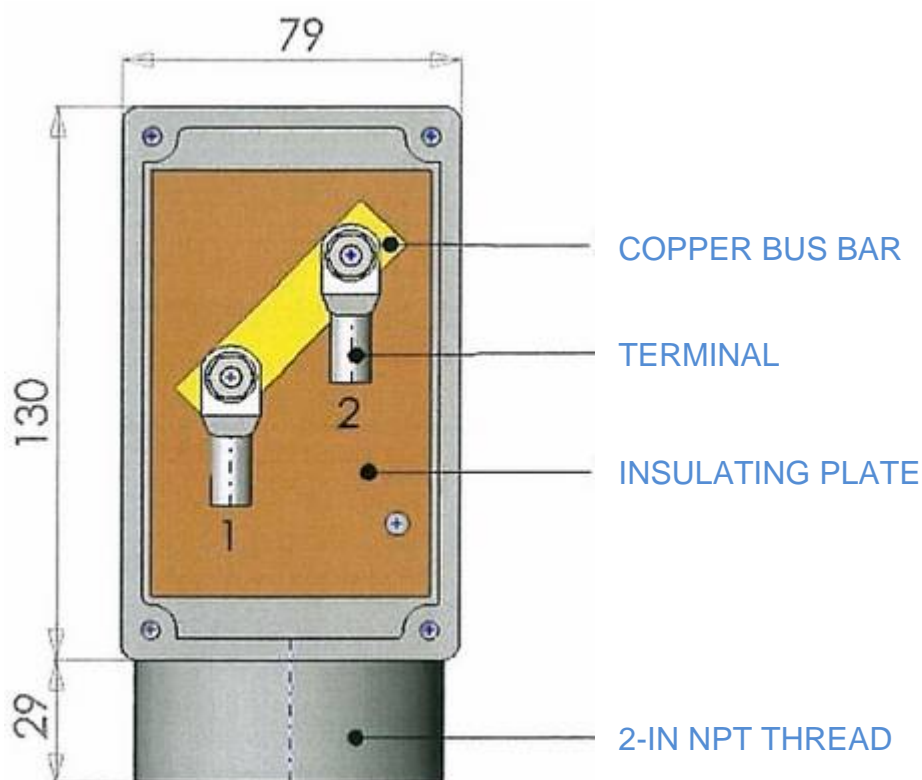
More than a mere potential test post in electrical continuity with the cathodic protected structure, this 2D box is commonly used to connect buried cathodic protection devices. It allows the performance of potential or current measurements depending on the connected equipment.

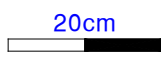
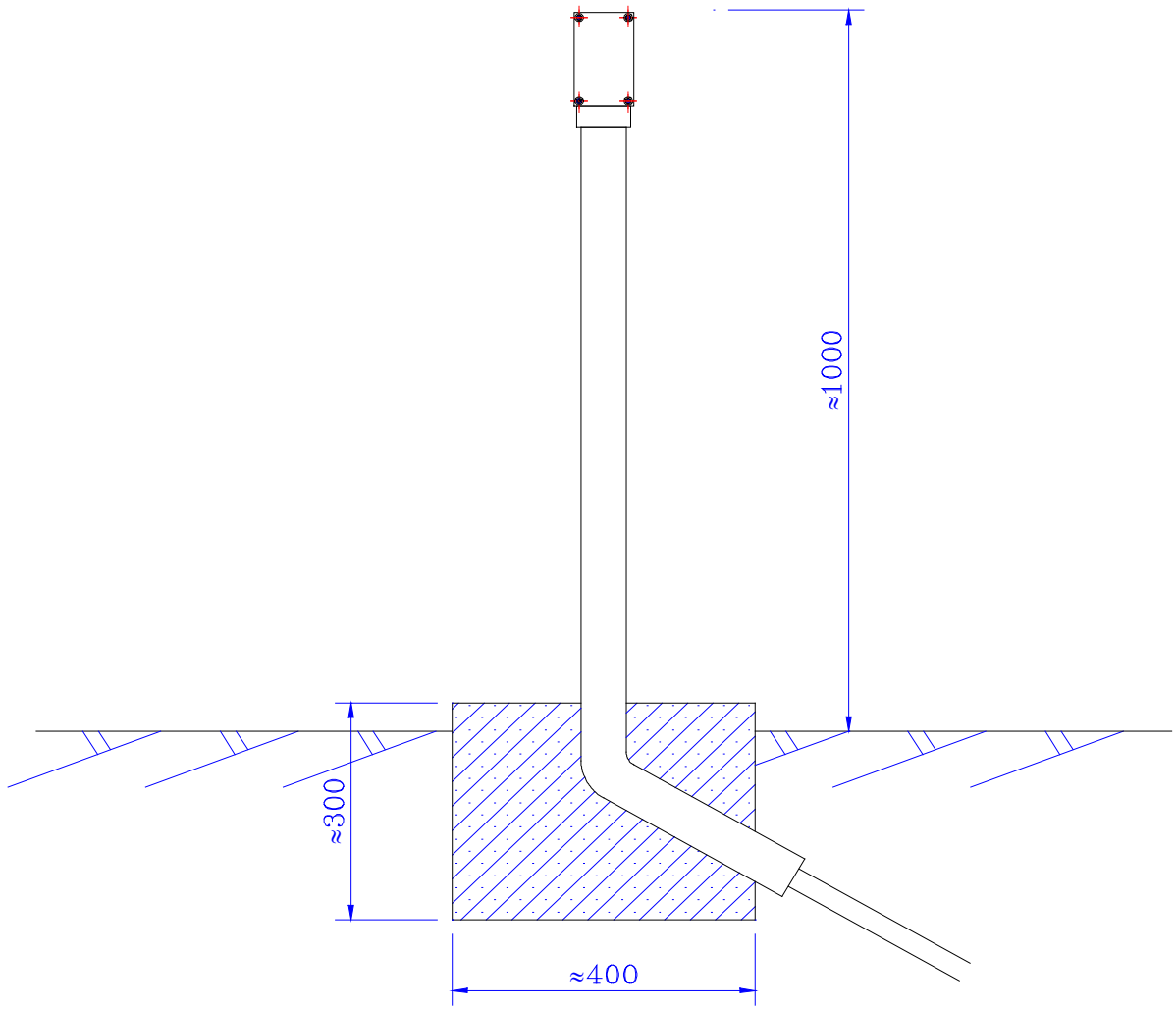
2 EQUIPMENT

The 2D test post is equipped with:

- One rectangular cast aluminum box
- One copper bus bar
- One bus bar insulating plate
- One stand made of dia. 2 inch galvanized steel tube

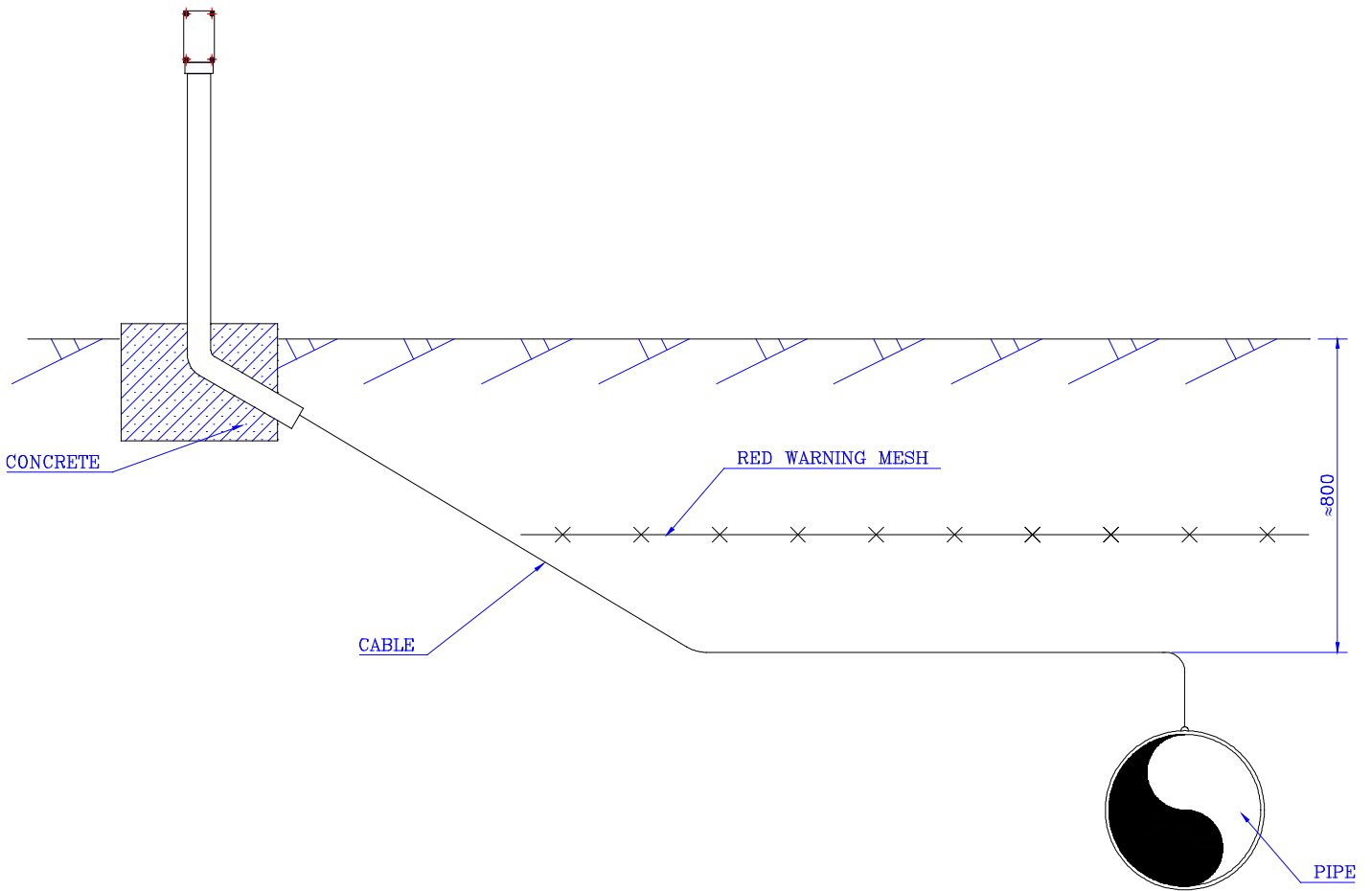
3 OVERALL DIMENSIONS





A1 INSTALLATION OF TEST POST

A1-1 SIMPLE



CHANNEL	DESCRIPTION	REMOVABLE CONNECTING STRIP	CABLE
1	PIPE	CONNECTED	
2		CONNECTED	



Société Internationale de Produits et Services Industriels

102 rue J.-B. Charcot
92400 Courbevoie - France

☎ : (33) 01 47 68 75 00

✉ : ipsi@ipsifrance.com

☎ : (33) 01 47 89 99 39