

CASING END SEALS



Brief descriptions of various types :



Type ON

(vulcanized, seamless moulded).

For a fixed combination of casing and carrier pipe diameters.



Type ONV

(vulcanized, seamless moulded)

For combining a constant casing pipe with variable carrier pipe diameters.



Type MN et MN 3

Made from one-piece cone shaped vulcanized sheet material, available in all pipe diameters.



Type MNO

From open rubber sheet material. Specially designed for existing installations. For all pipe diameters.



Société Internationale de Produits et Services Industriels

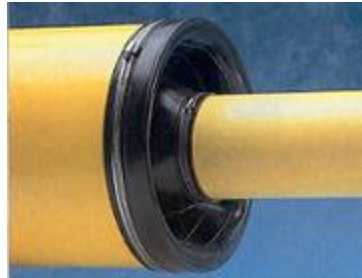
102 rue J.-B. Charcot
92400 Courbevoie - France
☎ : (33) 01 47 68 75 00
✉ : ipsi@ipsifrance.com

☎ : (33) 01 47 89 99 39
🌐 : www.ipsifrance.com

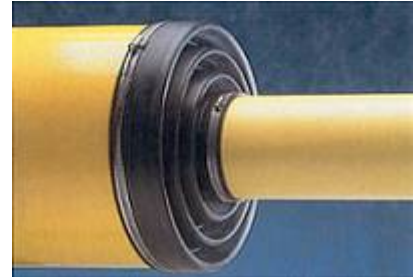
Casing end seal type ON (seamless)



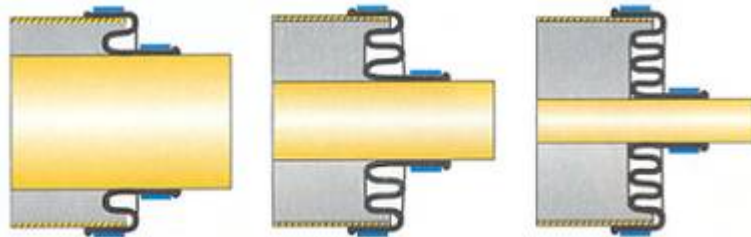
Seamless, vulcanized sleeve for a **fixed combination** of casing/carrier pipe diameters. With one, two or three ribs to compensate for variable pipe sizes and alignment.



Additional security is ensured by rubber rimming on the sleeve's end. With 2 stainless steel clamps.



Type ON : assembly variations



Casing end seal type ONV (seamless, variable)



Seamless, vulcanized sleeve for a constant casing pipe, but variable carrier pipe diameters. Adapts through the slicing off of cone tip as necessary. Saves storage space, since only one



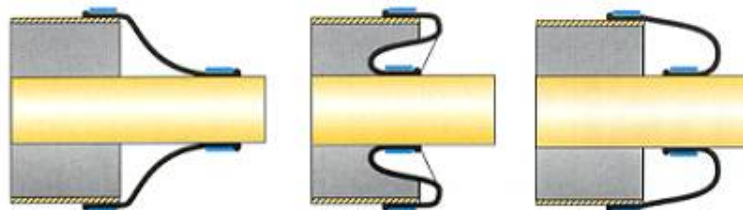
sleeve is required for each respective casing size. Additional security ensured by rubber rimming on the sleeve's end. Inside features two O-rings for total sealing.



Because of its adaptability to varying assembly situations, model ONV is especially suited to situations involving shift caused by thermal expansion (e.g. heating lines).

Also available with apertures for additional pipes.

Type ONV : assembly variations



The assembly options using casing end seals MN, MN-3 and MNO are identical to those with type ONV.



Société Internationale de Produits et services Industriels

102 rue J.-B. Charcot
92400 Courbevoie - France
☎ : (33^e) 01 47 68 75 00
✉ : ipsi@ipsifrance.com

☎ : (33) 01 47 89 99 39
🌐 : www.ipsifrance.com

**Casing end seal type MN
(with seam, 2 mm thick)**

**Casing end seal type MN 3
(with seam, 3 mm thick)**



Truncated cone in 2 or 3 mm thick, vulcanized sheet material. Available for all pipe combinations. Variations of assembly (see model ONV) make for an

especial suitability for situations involving thermal expansion (e.g. heating lines).



The model MN-3 (reinforced version) is available with apertures for additional pipes..

**Casing end seal type MNO
(with seam, open)**



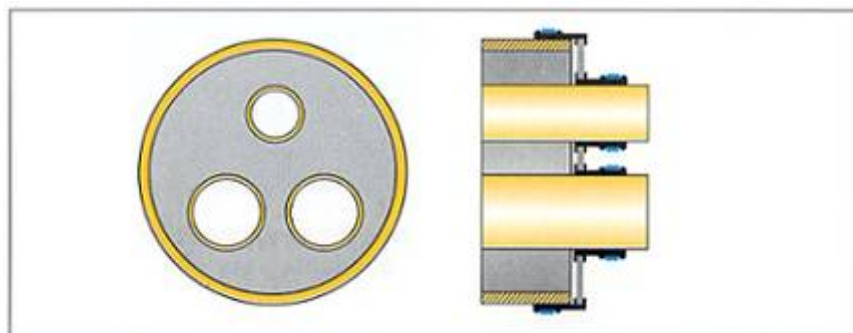
An open sleeve for later additions to existing installations. Made from 2 mm thick rubber sheet material.

Bevelled edges create a larger contact area for bonding and make for a smooth join without an overlap.



Special versions

Please enquire about special combinations. We also supply casing end seals for multiple carrier pipes within one casing pipe.



Société Internationale de Produits et services Industriels

102 rue J.-B. Charcot
92400 Courbevoie - France
☎ : (33) 01 47 68 75 00
✉ : ipsi@ipsifrance.com

☎ : (33) 01 47 89 99 39
🌐 : www.ipsifrance.com

Material

on type ONV up to DN 125

- modified PVC.

on types ON and ONV from DN 150 upwards

- made from outstandingly long life EPDM rubber. Ideal for use underground.

on types MN, MN-3 and MNO

- made from CR rubber, which combines exceptional long life with a high resistance to the effects of oil. Ideal for underground use.

CR rubber is the best suited material for cold vulcanization - a strong and stable adhesion is guaranteed.

Size table for casing end seal, type ON

ID for casing pipe (mm)	Nominal diameter (inches)	ID for casing pipe (mm)	Nominal diameter (inches)
50 x 100	2 x 4	300 x 400	12 x 16
50 x 150	2 x 6	300 x 450	12 x 18
		300 x 500	12 x 20
65 x 150	2,5 x 6	300 x 550	12 x 22
80 x 150	3 x 6	350 x 450	14 x 18
80 x 200	3 x 8	350 x 500	14 x 20
80 x 250	3 x 10		
80 x 300	3 x 12	400 x 500	16 x 20
		400 x 550	16 x 22
100 x 150	4 x 6	400 x 600	16 x 24
100 x 200	4 x 8		
100 x 250	4 x 10	500 x 600	20 x 24
100 x 300	4 x 12	500 x 650	20 x 26
150 x 250	6 x 10	550 x 650	22 x 26
150 x 300	6 x 12		
150 x 350	6 x 14	600 x 750	24 x 30
150 x 400	6 x 16	600 x 800	24 x 32
200 x 250	8 x 10	650 x 750	26 x 30
200 x 300	8 x 12	650 x 800	26 x 32
200 x 350	8 x 14		
200 x 400	8 x 16	750 x 900	30 x 36
		800 x 950	32 x 38
250 x 300	10 x 12	800 x 1000	32 x 40
250 x 350	10 x 14		
250 x 400	10 x 16	850 x 1000	34 x 40
250 x 500	10 x 20		
250 x 550	10 x 22	900 x 1050	36 x 42

Size table for casing end Seal, type ONV

ID for casing pipe (mm)						
50	65	80	100	125	150	200
250	300	350	400	450	500	600

All casing end seals are delivered with stainless steel (VA) clamps for casing and carrier pipes.



Société Internationale de Produits et services Industriels

102 rue J.-B. Charcot

92400 Courbevoie - France

☎ : (33) 01 47 68 75 00

✉ : ipsi@ipsifrance.com

☎ : (33) 01 47 89 99 39

🌐 : www.ipsifrance.com